

PUSH BUTTON CISTERN

3.05

FLUSHING

#FCS / PUSH BUTTON CISTERN



WELS REG # U00292



Scan QR code to view online



features and benefits

- WELS and WaterMark certified
- Fully welded heavy duty case
- Optimal vandal resistance
- Easy to install
- Concealed fixings
- Tamper resistant service panel
- Slimline Design
- Adjustable flush volume - up to 7.5L
- Suitable for toilet pans, slab urinals and slophoppers
- Available in low flush for urinal pods
- Ideal for schools, night clubs and public amenities

about

The *BRITEX Stainless Steel Front Push Button Cistern* has a fully welded, heavy duty stainless steel case and provides optimal vandal resistance, making it ideal for installing in schools, night clubs, pubs and public amenities. An adjustable outlet valve makes it suitable for urinals and slophoppers. A low flush version (1.5L) is suitable for pod urinals. A screw fixed inspection panel prevents tampering without tools. WaterMark and WELS certified as required by plumbing regulations, government legislation and to provide quality assurance.

sample spec. text

BRITEX Stainless Steel Push Button Cistern - Standard/Low FLush model, XL flush capacity, fully welded radius top corners. 3 WELS rating and WaterMark certified - Product Code FCS*

*RED TEXT may denote a **variable** where one option only is to be selected, a **nominal dimension** that needs to be specified, or an **optional feature** that can be removed if not required. Please refer to the back of this page for additional specification details and options.

VISIT BRITEX.COM.AU TO DOWNLOAD BIM FILES, CAD DRAWINGS AND THE MOST CURRENT PRODUCT LITERATURE.



MELBOURNE
Britex Place, Mirra Crt
Bundoora VIC 3083
t (03) 9466 9000
e vic@britex.com.au

SYDNEY
16 Northumberland Drv
Taren Point NSW 2229
t (02) 9531 2100
e nsw@britex.com.au

PERTH
Unit 1/8 Principal Link
Malaga WA 6090
t (08) 9249 5464
e wa@britex.com.au

BRISBANE
19 Manilla St
East Brisbane QLD 4169
t (07) 3363 2400
e qld@britex.com.au

ADELAIDE
The Britex Group
SA State Office
t 1300 764 744
e sa@britex.com.au

britex.com.au | info@britex.com.au | A.B.N 83 004 309 737

PUSH BUTTON CISTERN

3.05

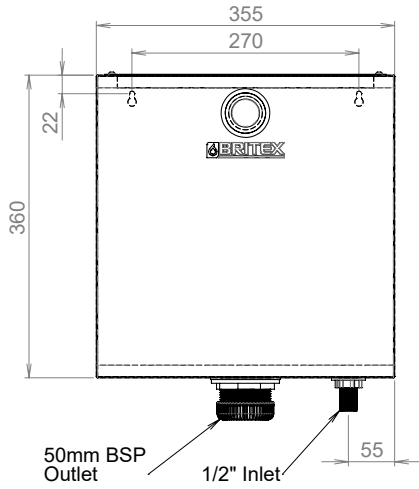
FLUSHING

#FCS / PUSH BUTTON CISTERN

PRODUCT CODE

FCS Standard Flush (38mm Outlet)
(Adjustable up to 7.5L)

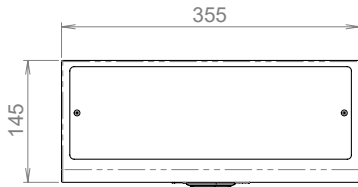
FCS-LF Low Flush (25mm Outlet)
(Preset to 1.5L)



MODEL FCS Front Elevation



MODEL FCS Side Elevation



MODEL FCS Plan

When specifying this product please include:

- Product Name and Code
- Product Dimensions
- Flush Capacity

specifying guide

B

VISIT BRITEX.COM.AU TO DOWNLOAD BIM FILES, CAD DRAWINGS AND THE MOST CURRENT PRODUCT LITERATURE.

Last Revised 2019



Due to ongoing research and our commitment to product development, details are subject to change without notice. Details accurate at time of print. Please refer to britex.com.au for the most current product information. Allow +/- 5mm tolerance for dimensions and setouts shown in product literature.

britex.com.au | info@britex.com.au | A.B.N 83 004 309 737

